

## Box

Michael Koenig 2006

FLORA 



The Box family ranges from a container for large plants, such as shrubs and bushes used in landscape design, to the smallest box for a cactus or table-top candle. The many uses in parks, entrances, and on a terrace, windowsill or table provide not only many possible applications, but also an opportunity to make deliberate use of repetitive shapes for architect-inspired designs. Functional elements such as handles, rollers or forklift pockets make it easy to move the boxes.

**FLORA Wilh. Förster**  
GmbH & Co. KG

Schmidtsiepen 3  
58553 Halver  
Germany

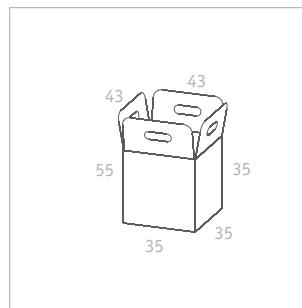
Phone +49 (0)2353 9117-0  
Fax +49 (0)2353 9117-17  
E-Mail [info@flora-online.de](mailto:info@flora-online.de)  
Internet [www.flora-online.de](http://www.flora-online.de)

## Box

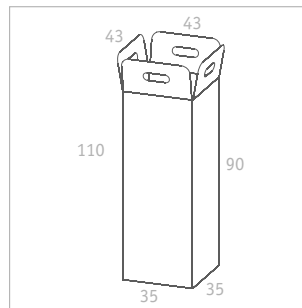
Michael Koenig 2006

# FLORA

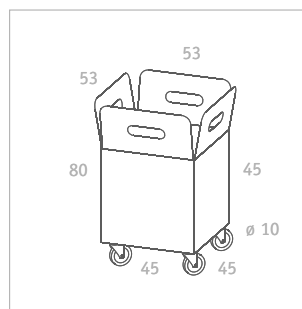
Planter in different sizes, one size with lockable castors, Corten steel or zinc plated sheet metal, powder coated light grey or black, various types and accessories



Box 40  
h 55 cm  
Volume 33 l  
Weight 9,5 kg [11,4]



Box 50  
h 110 cm  
Volume 33 - 93 l  
Weight 17 kg [20,4]



Box 65  
h 80 cm  
Volume 75 l  
Weight 19,5 kg [23,4]  
[Weight Corten steel]

**FLORA Wilh. Förster**  
GmbH & Co. KG

Schmidtsiepen 3  
58553 Halver  
Germany

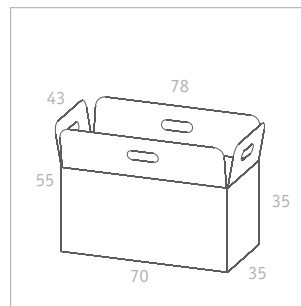
Phone +49 (0)2353 9117-0  
Fax +49 (0)2353 9117-17  
E-Mail [info@flora-online.de](mailto:info@flora-online.de)  
Internet [www.flora-online.de](http://www.flora-online.de)

## Box

Michael Koenig 2006

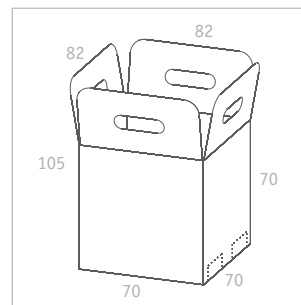
# FLORA

Planter in different sizes, one size with lockable castors, Corten steel or zinc plated sheet metal, powder coated light grey or black, various types and accessories



Box 45  
h 55 cm  
Volume 75 l  
Weight 17 kg [20,4]

[Weight Corten steel]



Box 100  
h 105 cm  
Volume 340 l  
Weight 77 kg

side slots optional to open for moving with forklifter

**FLORA Wilh. Förster**  
GmbH & Co. KG

Schmidtsiepen 3  
58553 Halver  
Germany

Phone +49 (0)2353 9117-0  
Fax +49 (0)2353 9117-17  
E-Mail [info@flora-online.de](mailto:info@flora-online.de)  
Internet [www.flora-online.de](http://www.flora-online.de)

## Box Giant

Michael Koenig 2012

FLORA 

Big. Bigger. Biggest. The almost gigantic dimensions of the "Elevation" and "Box" planters create new opportunities for outdoor structures and designs. Tall plants have a style all of their own when used for green architecture. The new types can be positioned on hard surfaces, and also used as moveable objects. Special features make it easy to handle the planters, which have a volume of approximately 900 litres.



**FLORA Wilh. Förster**  
GmbH & Co. KG

Schmidtsiepen 3  
58553 Halver  
Germany

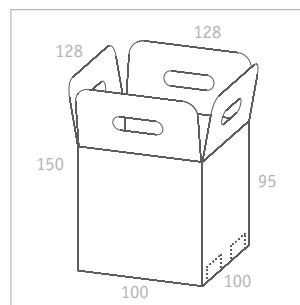
Phone +49 (0)2353 9117-0  
Fax +49 (0)2353 9117-17  
E-Mail [info@flora-online.de](mailto:info@flora-online.de)  
Internet [www.flora-online.de](http://www.flora-online.de)

## Box Giant

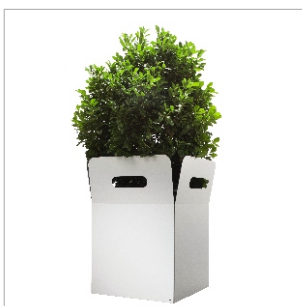
Michael Koenig 2012

**FLORA** 

Giant planter, steel zinc plated sheet metal, powder coated light grey, hidden forklift pockets, various accessories



Box 150  
h 150 cm  
Volume 920 l  
Weight 170 kg



side slots optional to open  
for moving with forklifter

**FLORA Wilh. Förster**  
GmbH & Co. KG

Schmidtsiepen 3  
58553 Halver  
Germany

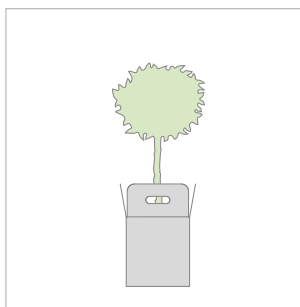
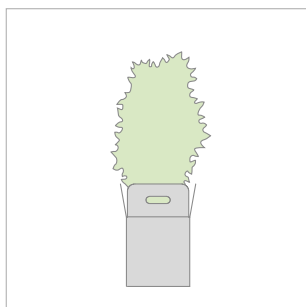
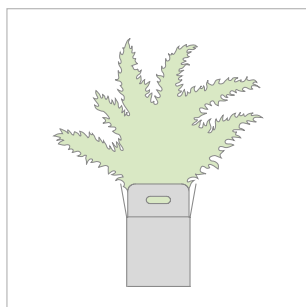
Phone +49 (0)2353 9117-0  
Fax +49 (0)2353 9117-17  
E-Mail [info@flora-online.de](mailto:info@flora-online.de)  
Internet [www.flora-online.de](http://www.flora-online.de)

## Box

Michael Koenig 2006

FLORA 

Planter in different sizes, one size with lockable castors, Corten steel or zinc plated sheet metal, powder coated light grey or black, various types and accessories



Plants  
Callitris preissii,  
Cestrum parqui,  
Cycas revoluta, Ficus carica,  
Hibiscus rosa-sinensis, Jubaea  
chilensis, Phoenix canariensis

**FLORA Wilh. Förster**  
GmbH & Co. KG

Schmidtsiepen 3  
58553 Halver  
Germany

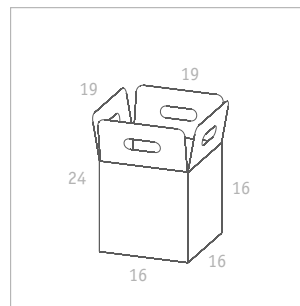
Phone +49 (0)2353 9117-0  
Fax +49 (0)2353 9117-17  
E-Mail [info@flora-online.de](mailto:info@flora-online.de)  
Internet [www.flora-online.de](http://www.flora-online.de)

## Box

Michael Koenig 2006

FLORA 

Planter in different sizes, one size with lockable castors, Corten steel or zinc plated sheet metal, powder coated light grey or black, various types and accessories



Box 20  
h 24 cm  
Weight 0,7 kg

**FLORA Wilh. Förster**  
GmbH & Co. KG

Schmidtsiepen 3  
58553 Halver  
Germany

Phone +49 (0)2353 9117-0  
Fax +49 (0)2353 9117-17  
E-Mail [info@flora-online.de](mailto:info@flora-online.de)  
Internet [www.flora-online.de](http://www.flora-online.de)

## Box

Michael Koenig 2006

FLORA 



**FLORA Wilh. Förster**  
GmbH & Co. KG

Schmidtsiepen 3  
58553 Halver  
Germany

Phone +49 (0)2353 9117-0  
Fax +49 (0)2353 9117-17  
E-Mail [info@flora-online.de](mailto:info@flora-online.de)  
Internet [www.flora-online.de](http://www.flora-online.de)



**Box**

Michael Koenig 2006

**FLORA** 



**FLORA Wilh. Förster**  
GmbH & Co. KG

Schmidtsiepen 3  
58553 Halver  
Germany

Phone +49 (0)2353 9117-0  
Fax +49 (0)2353 9117-17  
E-Mail [info@flora-online.de](mailto:info@flora-online.de)  
Internet [www.flora-online.de](http://www.flora-online.de)

## Box

Michael Koenig 2006

FLORA 



**FLORA Wilh. Förster**  
GmbH & Co. KG

Schmidtsiepen 3  
58553 Halver  
Germany

Phone +49 (0)2353 9117-0  
Fax +49 (0)2353 9117-17  
E-Mail [info@flora-online.de](mailto:info@flora-online.de)  
Internet [www.flora-online.de](http://www.flora-online.de)